

STABILA®



...sets standards



**Covered in dust and dirt?
Just wash it and it's clean.**



Extremely robust



**The STABILA complete set for internal and external use:
the LAR 250 rotation laser with the REC 300 Digital receiver.**



**Whatever the job, this laser
is there to help.**

**8 measuring functions – extremely robust technology –
the reference deviation display is in figures.**



Features of the LAR 250 rotation laser:

- 8 functions – laser precision in every situation.
- Easy to use: self-levelling, inclination function, remote operation.
- Can be used quickly and easily – indoors and outdoors.
- 350 m working range.
- Operating time 120 hours with alkali batteries. Can also be operated with rechargeable batteries.
- Extremely robust thanks to the patented STABILA Protector System.
- Strong, shock-resistant aluminium case.
- Water and dust-proof to IP 65.
- Cold and heat resistant.
- Machine control applications.



Water and dust-proof to IP 65.

STABILA LAR 250
The four-stage test procedure demonstrates:
Extremely robust.



1. Drop test



2. Water test



3. Heat test



4. Dust test

The LAR 250 rotation laser:

the all-rounder.

The LAR 250 complete set



LAR 250



REC 300 Digital with bracket

Comprising:

- Type LAR 250 rotation laser
- Receiver with bracket
- Remote control
- 90° angle rail
- Laser goggles
- Target plate
- Carrying case

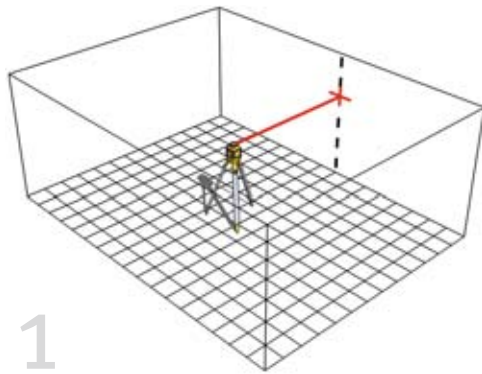
	Output	Laser wavelength	Self-levelling range (horizontal)	Horizontal accuracy	Receiver working range	Batteries (included)
	< 1 mW	635 nm	ca. ± 5°	± 0.1 mm/m	Ø 350 m	2 x D 1.5 V
	Type	LAR 250	Art. No.	17106	EAN	4005069171063

If the beam of a Class 2 laser should accidentally enter the eye of an observer for a short period, the eye is protected by the reflex action of closing the eye-lid and/or looking away. These lasers may therefore be used without any further protective measures. However, you should not look directly into the laser beam.



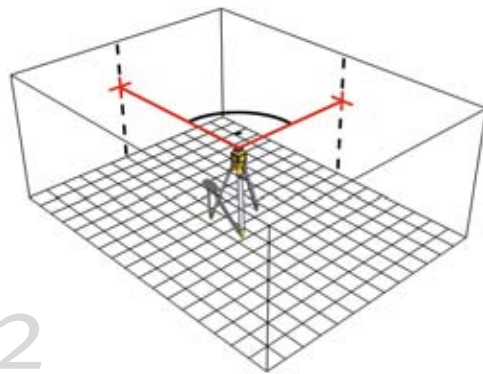
8 functions – all with genuine STABILA quality.
The ideal construction industry laser for everyone with serious responsibilities.

For major projects. For setting out and aligning. For fitting-out, dry-walling, superstructures, masonry work, concrete construction and formwork.



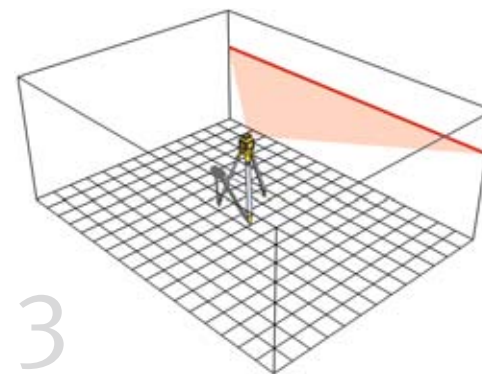
1

Point function: The laser beam is visible as a dot on the viewed surface.



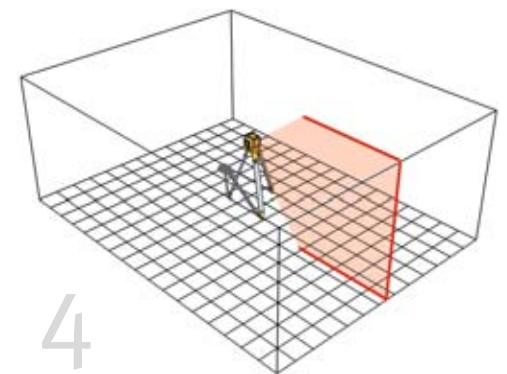
2

Point function with 90° penta prism: The laser beam is emitted at right angles to the horizontal beam.



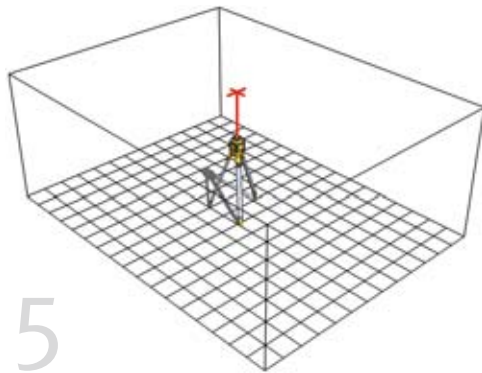
3

Line function, horizontal: The laser projects a horizontal line onto the wall.



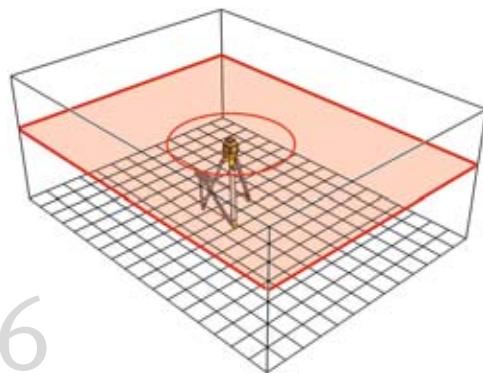
4

Line function, vertical: The laser projects vertical lines onto floors, walls and ceiling.



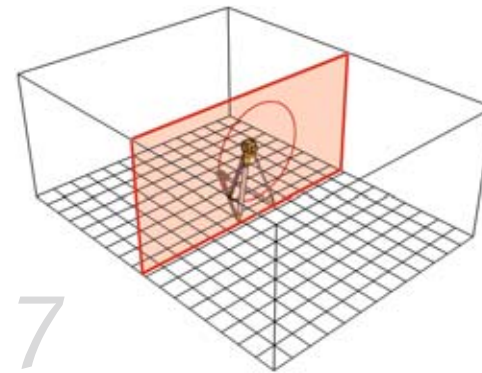
5

Plumb-line function: Transfers a determined point from the floor to the ceiling.



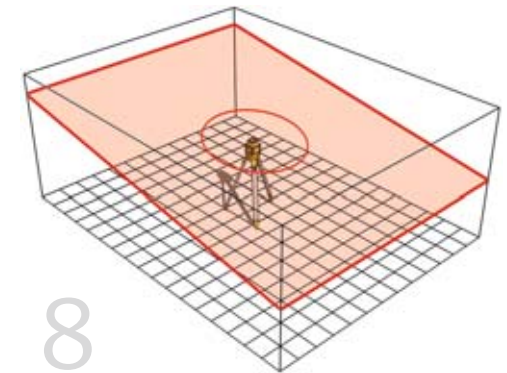
6

Rotation function, horizontal: The laser beam rotates horizontally through 360° around its vertical axis.



7

Rotation function, vertical: The laser beam rotates vertically through 360° around its vertical axis.



8

Inclination function: Inclination of the levelling plane to meet requirements.

STABILA®



...sets standards

Dr. Duka S.R.L. DN 100 289 DN 877 JJ K 2297 of Made in Germany



Comprehensive accessories included in the complete set. The sturdy carrying case contains the LAR 250 rotation laser, the REC 300 Digital receiver with bracket, remote control unit, 90° angle rail, protective laser goggles and target plate.



Cause a stir.

Using eight measuring functions can increase the work tempo and literally stir up the dust. But the LAR 250 isn't effected as it is dust and waterproof to IP 65. And when the work is over, just sponge it down.



Further useful accessories: the optional NK 100 wall bracket. The laser is suspended from a profiled rail or nail using the height-adjustable wall bracket. Ideal for the installation of suspended ceilings and screeds (Art. No. 15971).

Vertical levelling: from the tripod using the angled rails supplied with the set or directly on the ground.





Fast and accurate:

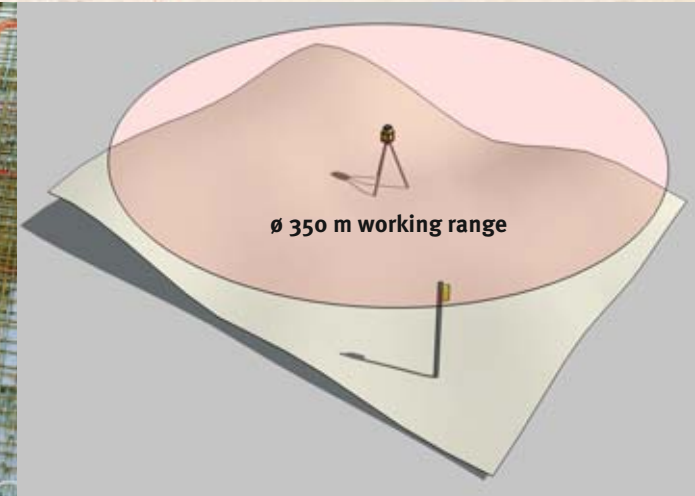
350 m working range, remote operation, inclination function, the STABILA Protector System.



Fully automatic up to a 5° slope: the remote operating system can be used to incline the STABILA LAR 250's levelling plane through angles of up to 5°.



The tilting platform is used for slopes of over 5°: the robust STABILA NKL tilting platform is scaled in degrees and percent. A recommended optional accessory (Art. No. 16782).



Ø 350 m working range



Features of the REC 300 Digital receiver:



Extremely practical: the double display.



Water and dust-proof to IP 67.

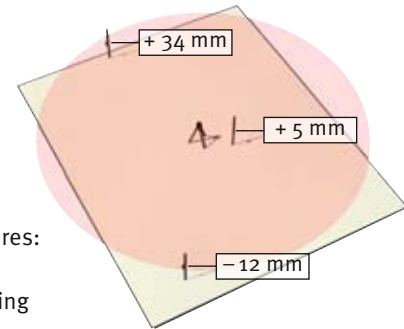


Two displays: front and rear.

Measure more intelligently – work more efficiently.

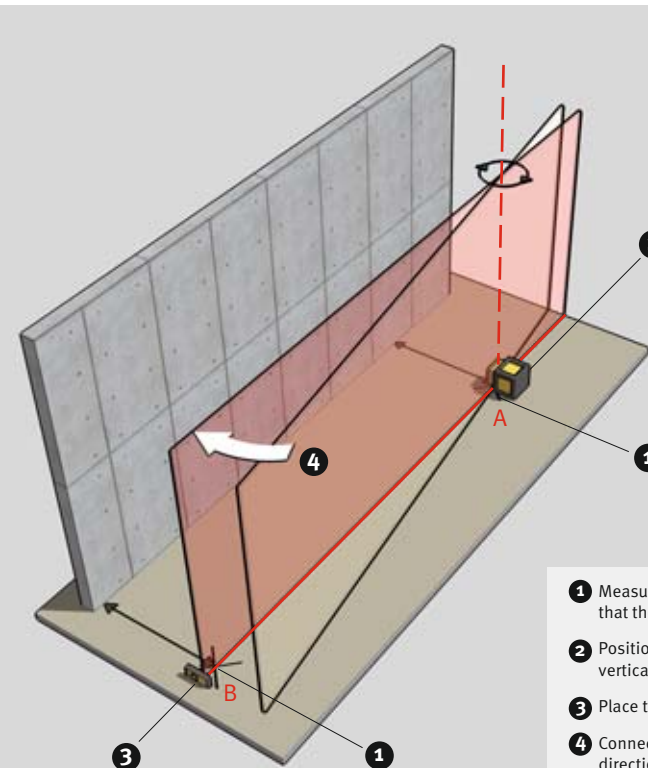
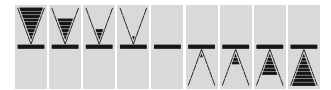
Digital display of the reference deviation in mm.

Read the deviation from the reference height directly in figures: exact mm readings. E.g. faster and more precise correction of strut positions and concrete levels. No troublesome moving the receiver on the levelling rod. Wide receiving range: 8 cm top to bottom.



Measuring made simple.

A series of symbols indicate your distance from the reference height and whether you are too high or low. Two sensitivity levels simplify setting-up over longer or shorter distances. If you also switch on the acoustic signals, you can select two volume levels.



Practical tip: easy alignment of parallel surfaces.

For this you need the LAR 250 with remote control unit, a levelling rod and the REC 300 Digital receiver.

- 1 Measure distances A and B from the wall and ensure that they are parallel.
- 2 Position the laser over point A and align the laser in the vertical position.
- 3 Place the receiver over point B.
- 4 Connect points A and B: rotate the vertical plane in the direction of the receiver using the remote control unit.



8 functions make you independent and fast. STABILA quality tools that you can trust.



LAR 250
Rotation laser

1. 8 functions – laser precision in every situation.
2. Easy to use: self-levelling, inclination function, remote operation.
3. Can be used quickly and easily – indoors and outdoors.
4. 350 m working range.
5. Extremely robust thanks to the patented STABILA Protector System.
6. Water and dust-proof to IP 65.
7. Machine control applications.



REC 300 Digital
Receiver

1. The reference deviation can be read in mm directly in the display: probably the fastest height correction when concreting or aligning struts – without moving the levelling rod.
2. Wide receiving range: 8 cm top to bottom.
3. Two displays: front and back.
4. Water and dust-proof to IP 67.

Our technical hotline will support you on all questions relating to product selection and use. Phone +49-6346-309-0. You can of course also email us at info@stabila.de