

STABILA®



...sets standards



**LAX 300 cross line
plus plumb points
laser**

NEW



NEW

**LA-5P
5 point laser**

**STABILA compact laser:
For all professionals. For all finishing trades.**

ACCURATE. TOUGH. RELIABLE. EASY-TO-USE.

STABILA®



...sets standards

LAX 300 / LA-5P compact laser

The new compact laser can be easily carried around at work by every tradesman and foreman. The pocket-size lasers are robust yet light and are characterised by the typical STABILA accuracy. Without wasting time, heights can be transferred to a high degree of accuracy and right angles calculated – reference points can be plumbed and aligned.

LAX 300: The visible laser lines make it possible, for example, to work directly on steel u-profiles during the assembly of drywall construction. **LA-5P:** Right angles can be aligned in an instant during the layout work with the laser points, or markers can be laid for openings. Every job is made simpler with just the push of a button. A worthwhile investment in any event.

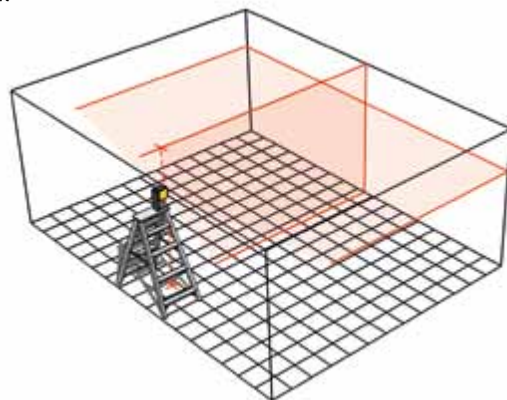




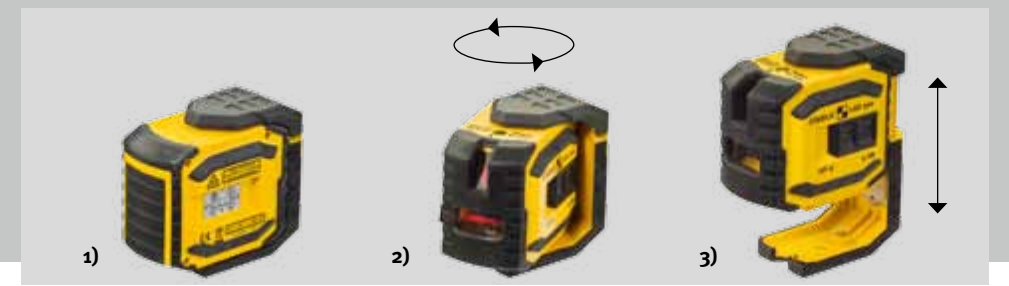
The LAX 300 self-levelling cross line plus plumb points laser: For marking out the floor, walls and ceiling at the same time.

- One horizontal line, one vertical line, plumb-line points upwards and downwards, with an extendable foot.
- Optimal for working directly on the laser line. For the transfer of the layout from the floor to the roof. For quick and precise plumbing.
- Very bright, narrow and clear laser lines. Visible line range 20 m.
- Vertical beam directed upwards and downwards – clearly visible through the extendable foot: Fast and precise marking of ceiling lights, for example.
- The laser can be rotated through 360° in its housing.
- Versatile in use: 1. Directly on the floor. 2. Attached to a tripod (1/4 thread). 3. Fastened to metallic objects by its rare earth magnet and V-groove or fastened to the wall bracket. 4. Secured by the metal lugs using a strap.

- Shock-absorbent STABILA soft-grip casing.
- Protection class IP 54 (Protection against dust deposits on the inside. Protection against splash water from all directions).
- Park position: Optimal protection of the optical equipment against dust and scratches by rotation inside the U-shaped housing.
- 20 hours operating period with 3 AA batteries.
- Thanks to the pulsed laser lines the LAX 300 can also be used outdoors. By using the REC 210 line receiver (available as an optional accessory) the range is up to 250 m in a straight line and up to 35 m at an angle of 45° to the instrument's axis.



LAX 300: 1 horizontal line function, 1 vertical line function, plumb line function.



1) Park position. 2) The casing can pivot 360° inside the u-grip. 3) The extendable foot can be used to adjust the laser's height.



STABILA LAX 300: Work directly on the laser beam.

All round quick and safe: No measurement or transfer errors.



► Horizontal and vertical reference lines can be created from one position.



▲ Work quickly thanks to easy positioning: On the floor, on a tripod, with rare earth magnet on iron frames, studs and girders.

◀ Optimal room coverage thanks to the wide-angle effect.

STABILA®

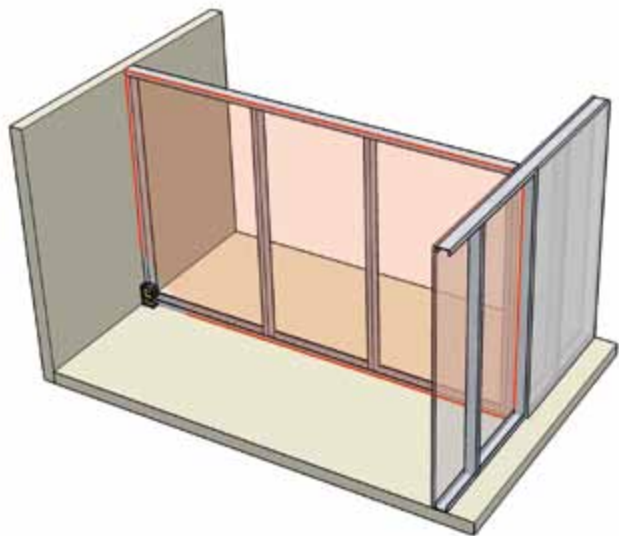


...sets standards

LAX 300 cross line plus plumb points laser

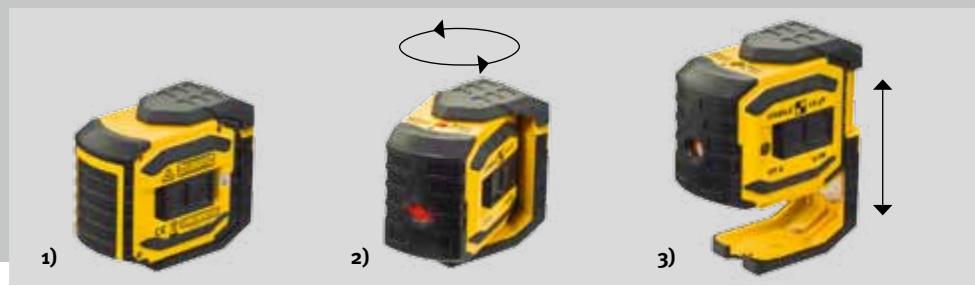
Ideal for electricians, drywall builders, fitters and tilers.

**STABILA LAX 300:
Simultaneously marks the floor,
wall and roof.**



The vertical laser line covers almost the entire room.

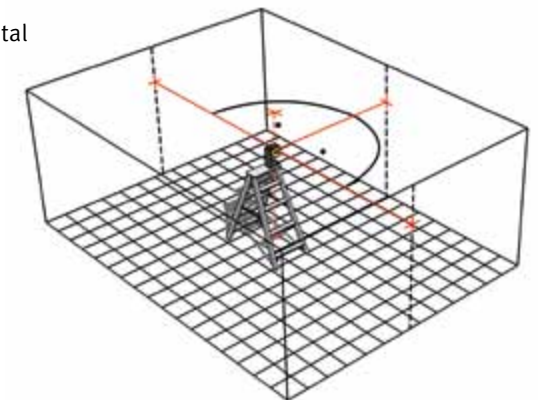




1) Park position. 2) The casing can pivot 360° inside the u-grip. 3) The extendable foot can be used to adjust the laser's height.

The LA-5P self-levelling 5 point laser: Perfect transfer of 90° angles.

- 5 laser points: Upwards and downwards plumb laser with extendable foot and 3 horizontal points which form two 90° angles.
- Optimal for setting out and transferring right angles. For the transfer of the layout from the floor to the ceiling, for both straight and curved walls. For rapid and accurate alignment.
- Thanks to the instrument's ability to transfer angles through 90°, more than one axis can be aligned at the same time and two right angles set out – for example for layouts used in dry-walling.
- The laser can be rotated through 360° in its housing.
- Very easily distinguishable, bright, narrow laser dots. Visible range of the dot 30 m.
- Versatile in use: 1. Directly on the floor. 2. Attached to a tripod (1/4 thread). 3. Fastened to metallic objects by its rare earth magnet and V-groove or fastened to the wall bracket. 4. Secured by the metal lugs using a strap.
- Shock-absorbent STABILA soft-grip casing.
- Protection class IP 54 (Protection against dust deposits on the inside. Protection against splash water from all directions).
- Park position: Optimal protection of the optical equipment against dust and scratches by rotation inside the U-shaped housing. Additional protective switch for sideways horizontal points.
- 20 hours operating period with 3 AA batteries.



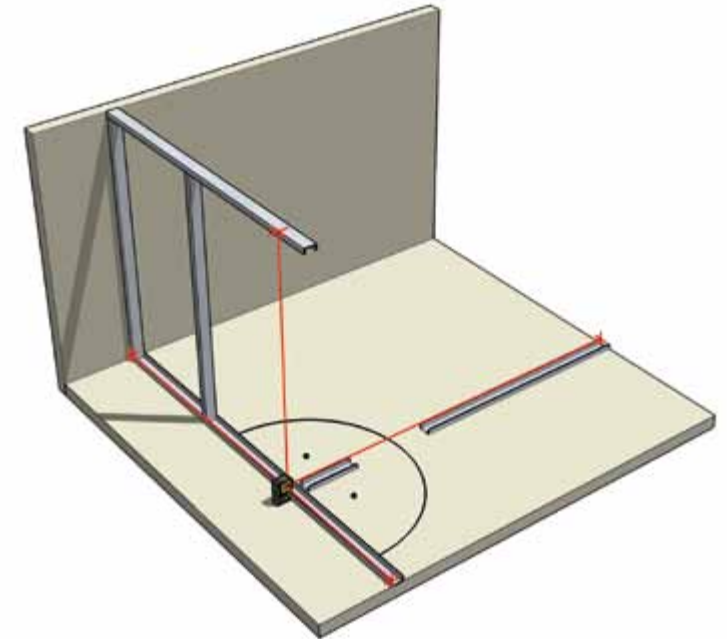
LA-5P: Upwards and downwards plumb laser with extendable foot. 3 horizontal points forming two 90° angles.

STABILA®



...sets standards

LA-5P 5 point laser



Optimal for setting out and transferring right angles. For the transfer of the layout from the floor to the ceiling, for both straight and curved walls. For rapid and accurate alignment.

**STABILA LA-5P:
Work directly on u-profile
channels thanks to the height
extendable foot.**

**STABILA LA 5-P:
Layout transfer from the floor
to the roof.**



Ideal for drywall builders, interior fitters, joiners and timber constructors. For foreman and architects when checking nominal dimensions during the inspection of construction carried out by tradesmen.



LAX 300 cross line plus plumb points laser

Comprising: LAX 300 self-levelling cross line plus plumb points laser, target plate, wall bracket, belt pouch.

Laser class	Output	Laser wavelength	Self-levelling range	Levelling accuracy	Line straightness	Laser beam accuracy (up)
2	< 1 mW	635 nm	approx. ± 4.5°	± 0.3 mm/m	± 0.2 mm/m	± 0.3 mm/m
Laser beam accuracy (down)		Range of visible line	Battery run-time	Batteries included	Art. No.	EAN
± 0.4 mm/m		20 m*	20 h	3 x AA 1.5 V	18327/1	4005069183271

* Indoors under typical operating conditions.



LA-5P 5 point laser

Comprising: LA-5P 5 point laser, target plate, wall bracket, belt pouch.

Laser class	Output	Laser wavelength	Self-levelling range	Levelling accuracy horizontal	Accuracy at 90° angle	Laser beam accuracy (up)
2	< 1 mW	635 nm	approx. ± 4.5°	± 0.3 mm/m	± 0.2 mm/m	± 0.3 mm/m
Laser beam accuracy (down)		Range of visible point	Battery run-time	Batteries included	Art. No.	EAN
± 0.4 mm/m		30 m*	20 h	3 x AA 1.5 V	18328/8	4005069183288

* Indoors under typical operating conditions.

LAX 300: Optional accessories



LT 30 laser-telescope stand (Art. No. 18238).

LAX 300 and LA-5P: Accessories included with delivery



Target plate, wall bracket and belt pouch.



IEC 60825-1

Our technical hotline will support you on all questions relating to product selection and use. Phone +49-6346-309-0. You can of course also email us at info@stabila.de