



How true pro's measure

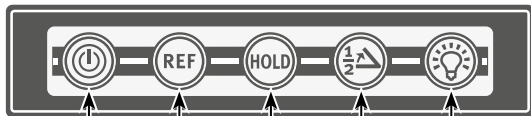
# TECH 700 DA

User manual



**Contents**

Section	Page
• 1. Intended use	3
• 2. Components of the unit	3
• 3. Insert batteries/Battery replacement	4
• 4. Commissioning	4
• 5. Automatic switch-off time	4
• 6. Angle finder	5
• 7. Spirit level	5
• 8. Bevel gauge	5
• 9. Reference function	6
• 10. Lighting	7
• 11. HOLD function	7
• 12. Angle halving	8
• 13. Calibration of zero position	8
• 14. Technical Data	9



On/Off

Reference function

HOLD function

Angle halving

Lighting

## 1. Intended use

The STABILA TECH 700 DA is an electronic angle finder with digital display for quickly and easily measuring angles.

Together with the vials, the angle finder can also be used as a spirit level.



If you still have questions after reading through the operating instructions, you can obtain advice by telephone:

+49 63 46 3 09 0

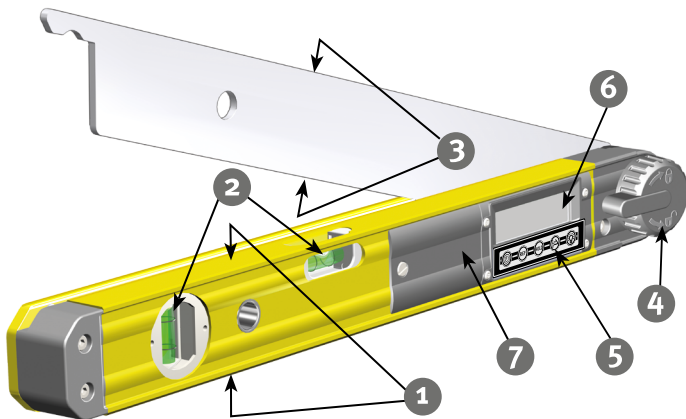
1.800.869.7460 U.S. and Canada

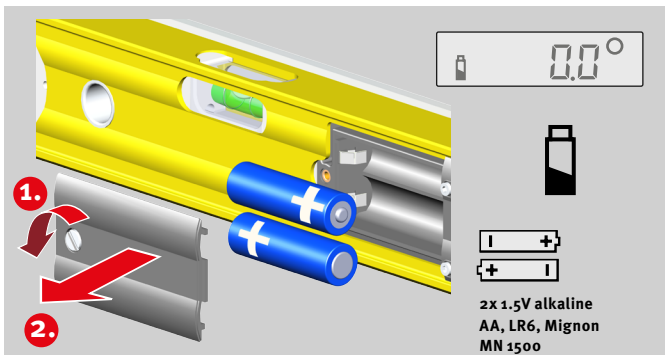
### Equipment and functions:

- Electronics module with digital display for accurately setting and measuring angles
- Vertical vial for vertical levelling
- Horizontal vial for horizontal levelling

## 2. Components of the unit

1. 2 measuring surfaces
2. Vials - vertical and horizontal
3. Arm with 2 marking and cutting edges
4. LOCK system - to fix the set angle
5. Keyboard
6. Display
7. Battery compartment lid





### 3. Insert batteries / Battery replacement

Unscrew battery compartment lid on front, insert new batteries according to symbol in battery compartment. Suitable rechargeable batteries can also be used.

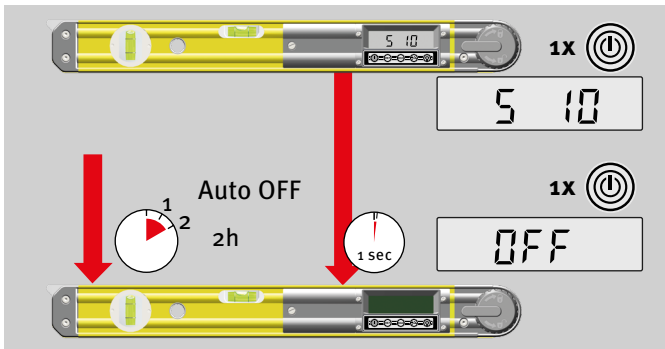
LCD:

low battery charge - insert new battery



**Dispose of used batteries at suitable collection points - not with household waste. Do not leave in unit!**

Remove the batteries if you do not intend to use the unit for some time!

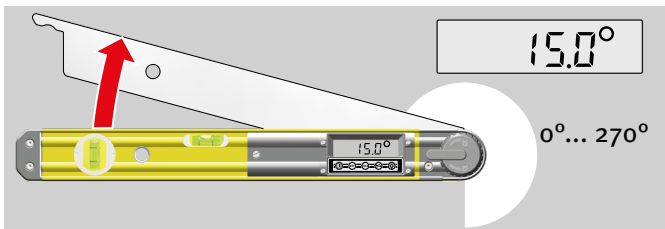


### 4. Commissioning

After switching on, the version number S x.xx of the measuring program is briefly displayed. The unit is switched off by briefly pressing the "ON/OFF" button. The "OFF" confirmation appears for 1 second.

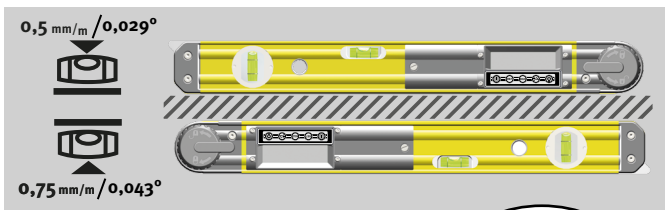
### 5. Automatic switch-off time

If not used for long periods, the electronic angle finder automatically switches off after 2 hours.



## 6. Angle finder

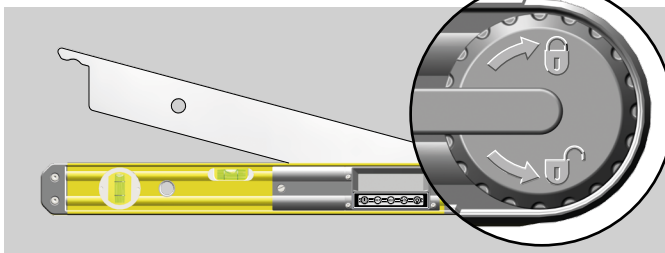
The angle finder displays the angle currently set between the arm and body. Angle measurements can be taken between 0° and 270°.



## 7. Spirit level

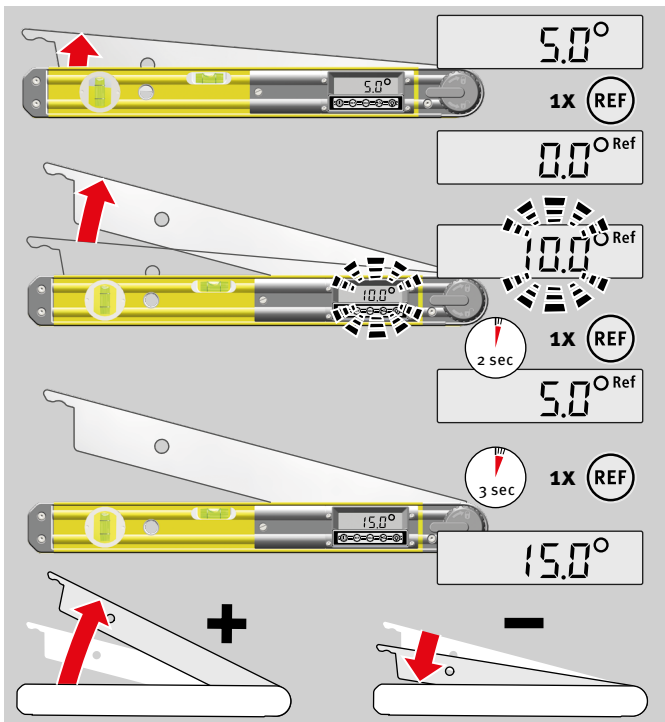
The angle finder with 2 measuring surfaces is also a fully functional spirit level for horizontal and vertical measurements to level construction elements. High-quality STABILA technology makes the vials suitable for measurements:

- (1) in the normal position
- (2) in the reverse position



## 8. Bevel gauge

The LOCK system can be used to fix the arm at the set angle.



## 9. Reference function

The REF button can be used to select any set angle as  $0^\circ$  reference. The angle details now displayed relate to this reference angle.

The next time the arm is rotated, only the newly set angle is displayed. The display flashes in this setting. The REF symbol indicates this function setting.

The original reference angle value is displayed for 2 seconds by briefly pressing the REF button.

The reference angle is deleted by:

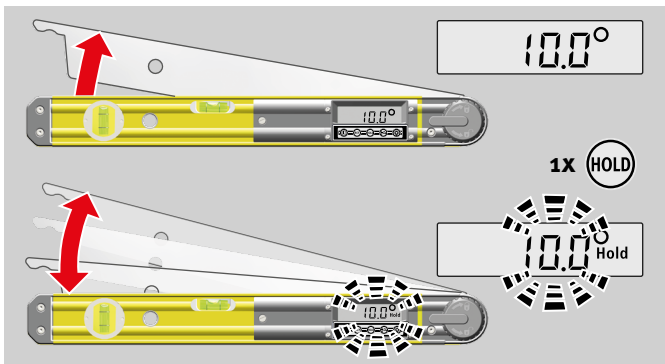
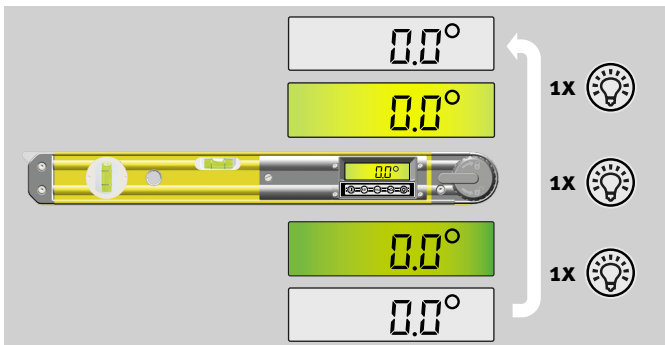
- pressing and holding ( $\geq 3$  sec) the REF button
- switching off
- the automatic switch-off function

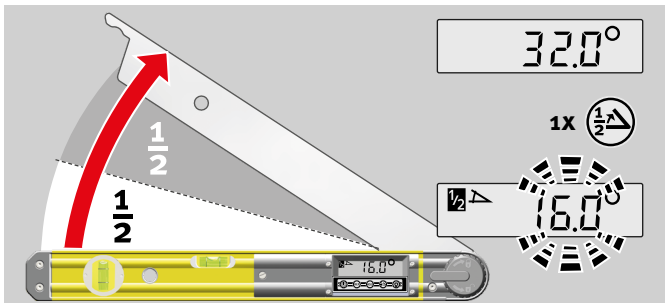
### Positive and negative angles when adjusting the arm:

angle greater than reference: positive  
angle less than reference: negative



Only the negative sign is displayed

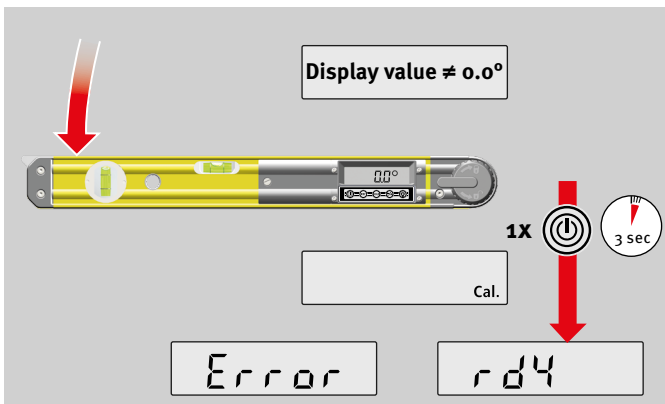




## 12. Angle halving

The current measurement is halved by pressing the "Angle halving" button. The measurement is displayed continuously. In this setting, the display flashes and the "Angle halving" symbol is displayed.

The value is deleted by again pressing the "Angle halving" button or switching the unit off.



## 13. Calibration of zero position

During use, instances may arise when the display does not show  $0.0^\circ$  when the arm is swivelled all the way in.

If this happens, first check whether dirt is preventing the arm from closing fully. If the display is still not showing  $0.0^\circ$ , the unit must be calibrated.

With the arm folded all the way in, the zero position is calibrated by pressing and holding the ON/OFF button. "CAL" is displayed for approx. 1 second. Successful calibration is confirmed with "rdy".

The unit cannot be recalibrated if "Error" appears on the display. The angle finder must be returned for inspection.



## 14. Technical Data

Accuracy of electronics module:

Angle measurement:  $\pm 0.1^\circ$

Accuracy of spirit level:

in normal position:  $0.5 \text{ mm / m} = 0.029^\circ$

in reverse position:  $0.75 \text{ mm / m} = 0.043^\circ$

Measuring range:  $0^\circ - 270^\circ$

Batteries :  $2 \times 1.5 \text{ V}$  alkaline, size Mignon, AA, LR6

Operating life :  $\geq 150$  hours

Operating temperature range:  $-10^\circ\text{C}$  to  $+50^\circ\text{C}$  /  $14^\circ\text{F}$  to  $122^\circ\text{F}$

Storage temperature range:  $-20^\circ\text{C}$  to  $+65^\circ\text{C}$  /  $-4^\circ\text{F}$  to  $149^\circ\text{F}$

Protection class: IP 54

Subject to technical modifications.

**Europe**  
**Middle and South America**  
**Australia**  
**Asia**  
**Africa**



**STABILA Messgeräte**  
Gustav Ullrich GmbH

P.O. Box 13 40 / D-76851 Annweiler  
Landauer Str. 45 / D-76855 Annweiler

☎ + 49 63 46 309 - 0  
✉ info@stabila.de

**USA**  
**Canada**

**STABILA Inc.**

332 Industrial Drive  
South Elgin , IL 60177

☎ 800-869-7460  
✉ custservice@Stabila.com